

Industrial Slide Gate Operator

SL 585



durable heavy-duty gear-driven operator for use on heavy gates and high-cycle applications such as gated communities and industrial locations

The powerful design supports gate lengths up to 70 feet and gate weights up to 1,600 pounds. A strong powdercoated galvanized steel chassis, all-weather gearbox, as well as a weather-resistant, lockable cover ensure years of rugged and reliable performance. This model is ideal for heavy commercial and industrial installations and is UL325-compliant.

built-in 312HM radio receiver

universal footprint

- Easily adapts operator to common footprints
- Simplifies retrofit applications by adapting to pre-existing pads for Link, Stanley or LiftMaster operators

larger control box

- Provides ease of access to major components
- Improved terminal strip labeling simplifies installation and saves time
- Common wiring diagram for SL 575 and SL 595 models

integrated 3-button control station

- 3-button control station incorporated into the outside of the control box to speed installation and troubleshooting

large accessory tray

- Provides convenient location to mount loops and other accessories
- Tray includes access ports and other knockouts for running power and control wiring

external manual disconnect

- Convenient, easy-to-access disconnect allows gate to be opened in the event of a power loss without removing the operator cover

external reset button

- Simplifies resetting the gate operator when alarm is activated
- Meets UL325 requirements

the LiftMaster® gate logic (GL) board provides many enhanced and exclusive features as STANDARD

- Fully Adjustable Inherent Obstruction Detection System
- Advanced Dual Gate Operation
- "Sequenced Access Management" (SAM) System
- Industrial Surge and Spike Protection
- Digital Logic Control Allowing for Long Control Lines of Over 1,000 Feet
- Separate Open and Close External Sensor Inputs
- 17 LEDs to Ease Installation and Speed Diagnostics

CHAMBERLAIN®

LiftMaster®

PROFESSIONAL



2 year warranty

standard features

built-in radio receiver

Includes a factory-installed 312HM radio receiver for use with DIP switch and Security+® 315 MHz remote controls. This allows for one LiftMaster® remote control to conveniently open the gate and additional access points. Remote controls sold separately.

inherent obstruction sensing

This unit's internal obstruction sensing system offers separate force adjustments for both the open and closed directions. If the gate strikes an obstruction, a closing gate will reverse to open and an opening gate will stop.

external obstruction sensing

Input connections are provided for external contact and non-contact sensors, such as photo-eyes and edge devices.

advanced dual gate operation

This convenient 2-wire system allows the operation of 2 separate gate operators in unison at a single entrance. This advanced system provides the added convenience of connecting accessories to either operator.

sequenced access management

The sequenced access management (SAM) system provides the capability to sequentially control the operator in tandem with a barrier gate.

digital logic control

Supports long-distance control wiring runs of over 1,000 feet, providing you greater flexibility of gate operator site placement.

LED indicators

Operator input, status and diagnostic LEDs simplify setup and troubleshooting.

warning device

UL325-compliant entrapment warning alarm has the ability to be set for pre-operation warning. This will provide a 3-second warning prior to and during gate movement.

loop detector inputs

A full range of inputs are available to support exit, shadow and interrupt loop detectors.

external alarm reset button

This allows for quick reset of the gate operator when the alarm has been activated.

timer to close

Adjustable timer can be set from 1 to 180 seconds. The unit will automatically reset upon receiving any additional open commands.

maximum run timer

Protects against damage to the gate and operator by limiting the unit's run time to 120 seconds.

emergency stop button

This one-button station will halt movement of the operator in an emergency situation and comes standard in an outdoor weather-tight enclosure.

maglock control

A dedicated control relay is provided to activate and deactivate an optional magnetic lock for securing the gate.

control inputs

Control inputs allow the connection of a full range of optional external devices like loop detectors, telephone entry systems, access control systems and radio receivers.

mechanical braking

The mechanical braking system adds substantial gate position control at all points in travel. This solenoid-actuated brake system also prevents the gate from being back-driven.

limit settings

All driven limit nut switches are fully adjustable, adding considerable convenience to unit installation and maintenance.

surge & spike protection

Specially designed circuitry provides excellent protection from external spikes or surges.

hinged access cover

Weather-resistant, lockable, hinged design allows for easy access to the unit's electronics for installation or servicing needs.

SPECIFICATIONS

OPERATOR SPEED

11 inches per second

POWER

115/208/230 VAC,
Single Phase - 60Hz
208/230/460/575 VAC,
Three Phase - 60Hz

OPERATOR WEIGHT

240 lbs.

ACCESSORY POWER

24 VAC

UL LISTED

UL991

UL325 - Class I, II, III and IV



CONSTRUCTION

Gear Reduction: 20:1
Wormgear Reducer in
Synthetic Oil Bath

Motor: 1/2 to 1 HP
Continuous-Duty Motor

Metal Frame:
7-Gauge
Pre-Galvanized Steel

Enclosure:
Weather-Resistant,
Lockable, 16-Gauge
Steel Cover

Chain:
#50 Nickel-Plated
(25 feet supplied)

OPTIONAL EQUIPMENT

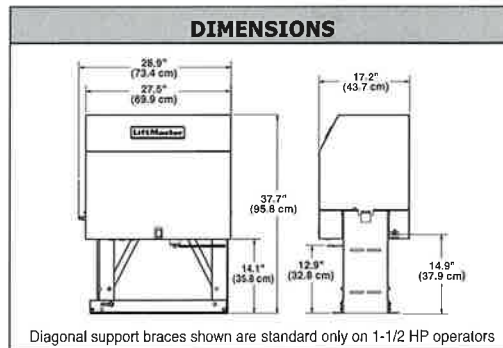
Plug-in Loop Detectors

Self-Regulating
Gearbox Heaters

Auxiliary Contact Blocks

Remote Antenna
Mounting Kit

RECOMMENDED CAPACITIES				
HP	MAX. GATE WT. (lbs.)	MAX. GATE WIDTH (ft.) (Overhead/V-Groove)	MAX. GATE WIDTH (ft.) (Cantilever)	CYCLES /HR.
1/2	1000	45	25	20
1	1600	70	35	20



Diagonal support braces shown are standard only on 1-1/2 HP operators

CHAMBERLAIN

LiftMaster

PROFESSIONAL

THE CHAMBERLAIN GROUP, INC.
845 Larch Avenue • Elmhurst, IL 60126

www.liftmaster.com



I.C./F.C.C.
Certified

©2006 LM SL 585 Spec 05/06
The Chamberlain Group, Inc.
Printed in U.S.A.